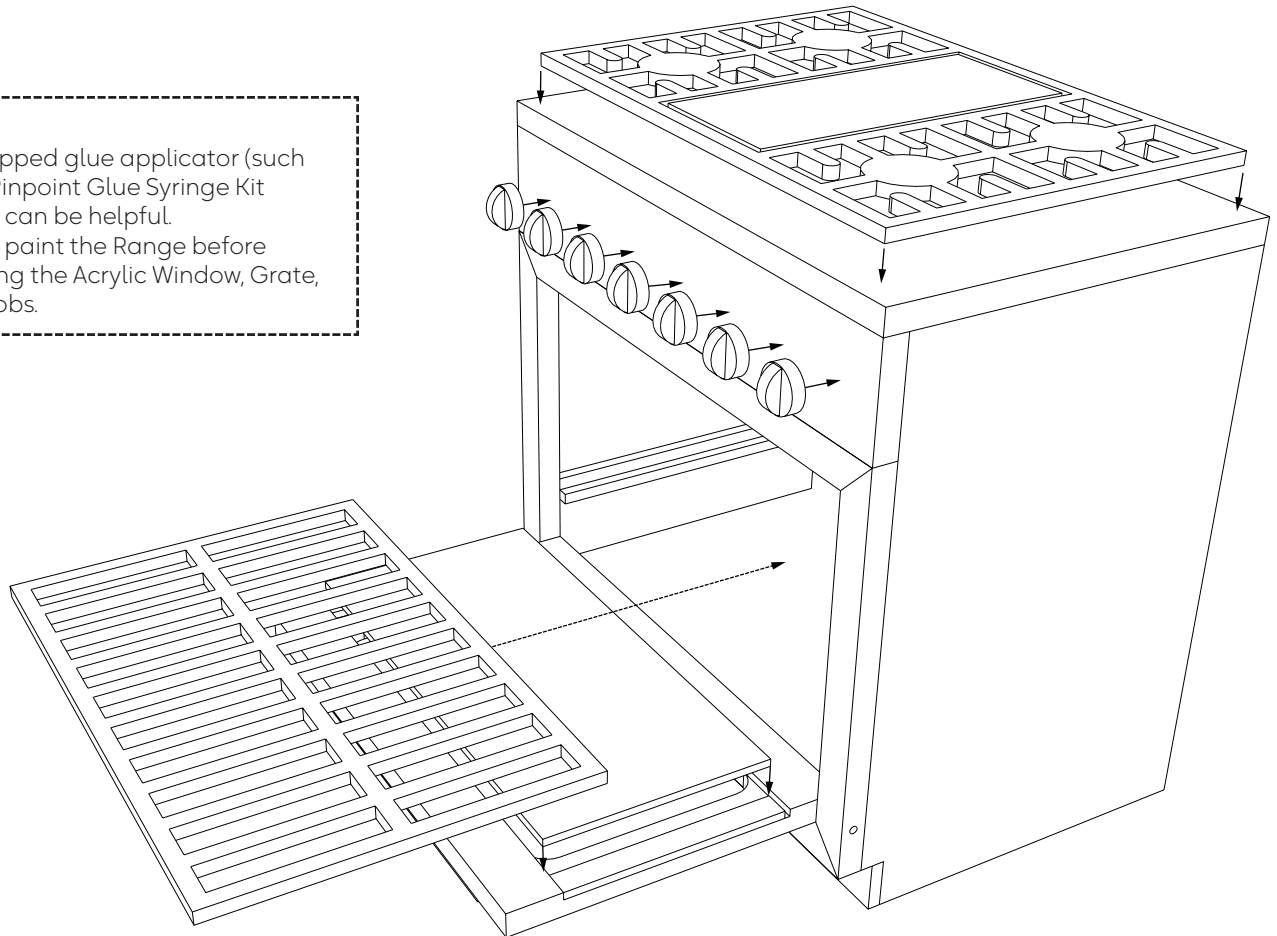


#15008 Shaker Kitchen – Range Kit

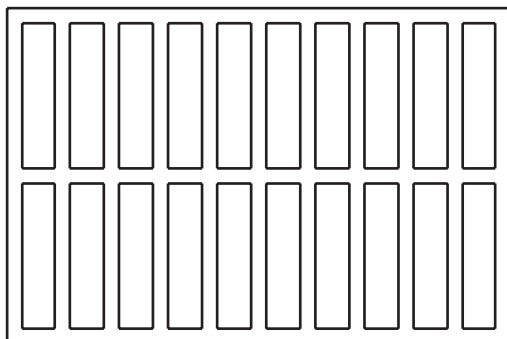
Copyright miniatures.com 2024

Tips:

- A fine-tipped glue applicator (such as the Pinpoint Glue Syringe Kit #10244) can be helpful.
- Stain or paint the Range before attaching the Acrylic Window, Grate, and Knobs.



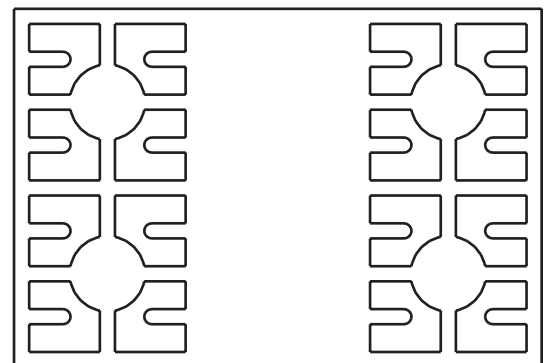
Knobs (7)



Oven Rack



Acrylic Window



Grate